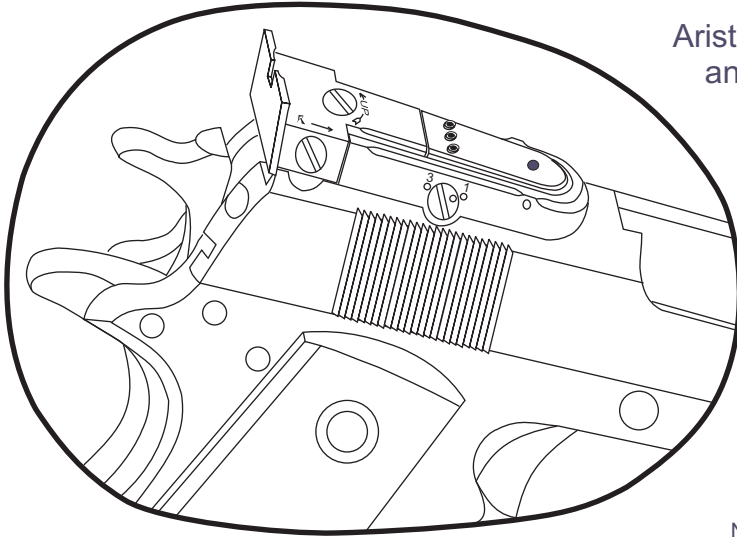


ARIST CRAT

COMPETITION PROVEN PRODUCTS

Model TS-45 Rear Sight



Aristocrat's unique Tri-Set feature allows easy and reliable selection of three preset sight settings. Simply rotate the elevation cam for fast and accurate selection of three individually adjustable sight settings.

Aristocrat's wide range of adjustments allow almost any combination of sight settings. The following is only one example of what may be achieved. The only restriction is that the sight setting requiring the lowest rear sight position must be set on the #2 adjusting screw.

NOTE: The #2 mark is not visible but it is in the 6 o'clock position on the base.

Sighting in is accomplished as follows: First turn the slotted elevation screw all the way to the bottom. Then rotate it back up one half to one full turn. This screw is not used again except to compensate for lighting or ammunition variation.

The **primary** sight adjustments are made using the three set screws. First rotate the cam to the #1 position. Use the 1/16" Allen screw furnished to adjust the #1 set screw to a center hold at 25 yards. This setting generally works well for the 7 and 15 yard positions.

Next rotate the cam to the #2 position and adjust the #2 set screw for a head or neck hold at 25 yards. Last rotate the cam to the #3 position and adjust the #3 set screw for a head or neck hold at 50 yards.

It is important that the shooter realize the slotted elevation screw is not a fine adjustment, but is used only to compensate for changes in lighting or ammunition.

When transporting your target pistol, always put the cam in the #2 position for protection.

Your new Aristocrat Sight is a piece of precision shooting equipment. Like your target pistol, it must be inspected and kept clean to operate properly. Target loads only should be used with this sight. It is recommended the installation of this product be performed by a qualified professional gunsmith.

Aristocrat Products Inc.
405 Agostino Road - P. O. Box 523
San Gabriel, CA 91776-0523
Tel. (626) 287-4110 Fax (626) 287-3527
www.aristocratproducts.com